

GOLDEN SPRING
GS-7700USB VHF/UHF Dual Band
Amateur Radio
User Manual

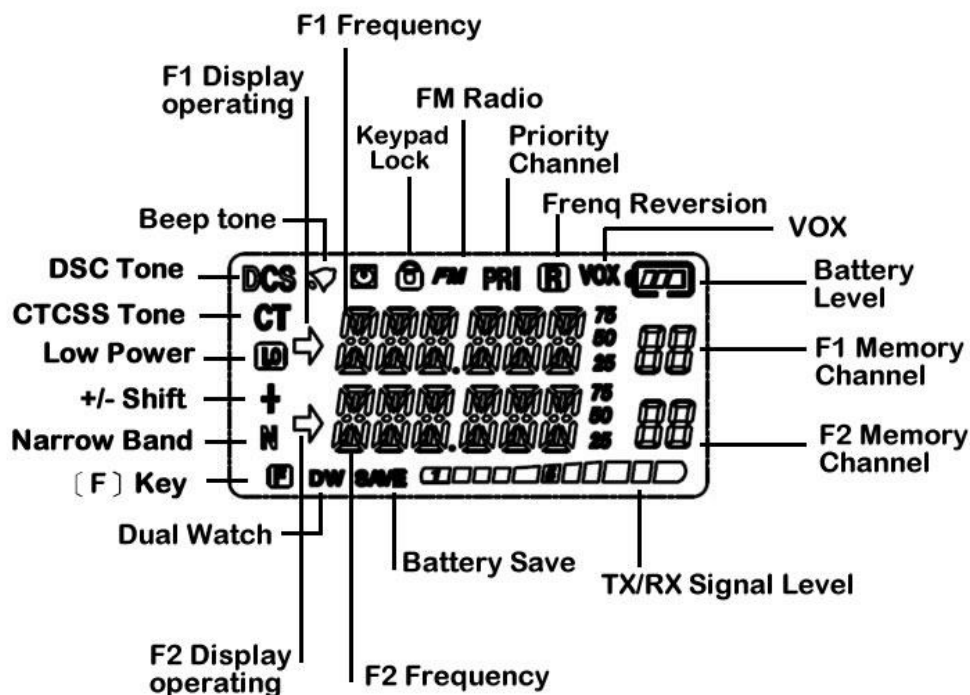
A) INTRODUCTION :

1. Operating Frequency
 - ◆ FM Radio 65 – 108 MHZ
 - ◆ VHF 136 – 174 MHZ
 - ◆ UHF0 400 – 500 MHZ
2. Operating Mode : Frequency & Channel Mode
3. FM Radio
4. Dual Band Standby
5. DTMF Encode
6. 50 Group CTCSS & 104 Group DCS Encode / Decode
7. Separate Setting CTCSS / DCS In TX & RX
8. TX Time Out Timer
9. 5 Selection Channel Step In 5K、6.25K、10K、12.5K、20K、25K
10. Battery Save
11. VOX Voice Activated TX
12. RX Busy Lock Out
13. Low Battery Alert
14. Back Light Auto
15. 3 Selection of LCD Display (Frequency, Channel & Name)
16. DTMF Tone ON / OFF

17. 3 Selection Scan Method (Time, Carry, Searching)
18. PTT-ID (Encode When Press PTT, Encode Release PTT, Encode, both In Press PTT Or Release PTT)
19. Frequency Shift Direction Selection
20. Offset Selection 0 – 69.9875 MHZ
21. Short Cut Menu In Keypad
22. Memory Of Channel Storage
23. 99 Channel Memory
24. Frequency reversion in TX / RX
25. PC Programming

B) Keypad and LCD Description :

UP [▲]/[▼]		
DOWN [▲]/[▼]		
1 / SQL	2 / PWR	3 / SCAN
4 / Step	5 / TOT	6 / RCODE
7 / TCODE	8 / FM	9 / SET
V / M	0 / TDR	F/ [F-0]



C) ALL Buttons Operating Features :

- 1.1. Press [**F-0**]key, “ **F** ” Icon will flash, then press [**9SEL**] key to enter into menu list.
- 1.2. Select [**▲**]/[**▼**] key to enter your desire menu mode.
- 1.3. Press [**V/M**] key to enter into menu setting, press [**▲**]/[**▼**] to elect different setting, then press [**F-0**] key to storage the new setting and return to menu mode.
- 1.4. Press [**F-0**] key to exit menu list and return to frequency mode.
- 2.1 Continue press [**F-0**] key over 2 seconds to activate keypad lock

and repeat same key operation to exit keypad lock.

[UP/DOWN] [▲]/[▼] Key :

In Frequency Mode : to adjust frequency up or down.

In Channel Mode : to adjust channel memory up or down.

In Menu Mode : to adjust menu mode or setting selection.

Continue press up/down key over 2 seconds will activate fast running in selection.

In Scan Mode : to activate scan direction.

[VM] Key :

Press over 2 seconds to activate the change of Frequency mode or Channel mode.

[0 – 9] Key :

For Entry Frequency, Channel, Menu List, Menu Setting. and Name List Setting.

[SIDE] Key Top (Orange color PTT key) :

Press PTT key to activate transmit.

[SIDE] Key Middle (Orange color Monitor key) :

Press Monitor key to activate monitor signal。

[SIDE] Key Bottom (Orange color A/B VFO key) :

Press A/B VFO key to activate the change of F1 and F2


VFO operation。

D) Combination Key Feature :

1、Burst Tone Calling :

Press PTT Key then press Monitor Key will activate 1750KHz burst tone calling when you release monitor key, 1750KHz burst will be off.

2、Factory Default Setting

Press [] key continue to turn on, LCD will display [RESET→VFO→ALL], then press [F] Key to confirm setting.

E) MENU LIST

Menu	Feature	Setting
1	CHANNEL STEP	5,6.25,10,12.5,20,25
2	SQUELCH	0---9
3	BATTERY SAVE	OFF/ON
4	TX POWER	HIGH/LOW
5	ROGE CALLING	OFF/ON
6	TOT	OFF/1M-7M
7	VOX	OFF/1-9
8	BEEP KEY TONE	ON/OFF
9	TDR DUAL WATCH	ON/OFF
10	RX CODE CTCSS/DCS	OFF/67~254.1/023~754
11	TX CODE CTCSS/DCS	OFF/67~254.1/023~754
12	BACK LIGHT	ON/OFF
13	PTT ID	ON/OFF
14	ANI	0~9,A~F
15	PTI DM	OFF/BOT/EOT/BOTH
16	DT ST	ON/OFF
17	MDF 1	FREQ/CHAN/NAME
18	MDF 2	FREQ/CHAN/NAME

19	BUSY LOCK OUT	ON/OFF
20	SHIFT DIR	0 / - / +
21	OFFSET	0~69.995M
22	SCAN MODE	TO/CO/SE
23	TX A/B	F1/F2/OFF
24	REVERSION	ON/OFF
25	STE	ON/OFF
26	NAME DISPLAY	0-9,A~Z
27	BAND WIDTH	WIDE/NARROW
28	BACK LIGHT	BLUE/BLUE+RED

MENU OPERATION AND DATA SETTING ;

1.1. Press [**F-O**]key, “ **F** ” Icon will flash, then press [**9SEL**] key to enter into menu list.

1.2. Select [**▲**]/[**▼**] key to enter your desire menu mode.

1.3. Press [**V/M**] key to enter into menu setting, press [**▲**]/[**▼**] to select different setting, then press [**F-O**] key to storage the new setting and return to menu mode.

1.4. Press [**F-O**] key to exit menu list and return to frequency mode.

GS-7700USB	
Frequency Range	: 136-174MHz and 400-500MHz
Power Output	: 5 Watts (VHF), 5 Watts (UHF)
Talk Range	: 5-8km
Volume	: 58 x 110 x 35 mm
Features	DTMF Encode & ANI Code
	1750KHz Burst Tone
	FM Radio (65MHz-108MHz)
	CTCSS/DCS with Separate Setting in TX/RX
	Low Battery Alert
	VOX Voice Activate Transmit
	Dual Watch Receiver with Dual Display
	Channel Step 5/6.25/10/12.5/25 kHz
	Frequency Shift with Offset from 0.10 to 69.90MHz
	TOT
PC programming	
Specification	
GENERAL	
Channel Capacity	: 128
Channel Spacing	: 5/6.25/10/12.5/25KHz
Operated Voltage	: 7.4V
Frequency Stability	: 2.5ppm(-20 °C ~+60 °C)
Operated Temperature	: -30 °C ~+60 °C
Antenna Impedance	: 50 Ω
TRANSMITTER	
Modulation	: F3E
Spurious Emission	: <-60dB
FM Noise(N/W)	: ≥-45dB≥-40dB
Audio distortion	: Less than10.%
Adjacent Channel Power	: ≤-65dB≤-60dB
Max Frequency Deviation	: 5KHz (N)/ 2.5KHz (W)
Frequency Error	: 500Hz
Modulation Distortion	: 0.1KHz (300-3000KHz)
Transmitting Current	: About1.4A

RECEIVER	
Sensitivity (12dB SINAD)	: -122dBm
Spurious Response Rejection	: 65dB
FM Ham & Noise	: 40dB(N)/45dB(W)
Audio Power Output @ 8Ω	: 1W
Audio Distortion	: ≤10%
Receiver Current	: ≤380mA

Made in China

